

# OmniReach® FTTX Solutions

## Wall Splice Cabinet (WSC)



ADC KRONE's new OmniReach® Wall Splice Cabinets (WSC) provide a versatile splicing solution when deploying FTTX networks in today's Multiple Dwelling Unit (MDU) buildings. The cabinets are available in indoor and indoor/outdoor configurations making them suitable for splicing requirements anywhere in an MDU architecture. The WSC also offers slack storage and is easily accessible with its wall-mount design.

### WSC-24 Features:

- Rated for indoor use
- Accommodates up to (2) 12-fiber splice trays
- Built-in slack storage around splice trays
- Flexible cable entry location with its 4 cable entry port design
- Top and bottom cable entry ports allow for pass through splicing capability
- Padlock security

### WSC-48 Features:

- Rated for indoor and outdoor use
- Accommodates up to (4) 12-fiber splice trays
- Built-in slack storage around splice trays
- Padlock security
- One part number can accommodate indoor or outdoor demand

TECHNICAL DATA



**Technical Assistance**  
Europe & Middle East • +32 2 712 6542 • [euro.tac@adckrone.com](mailto:euro.tac@adckrone.com)  
[www.adckrone.com](http://www.adckrone.com)

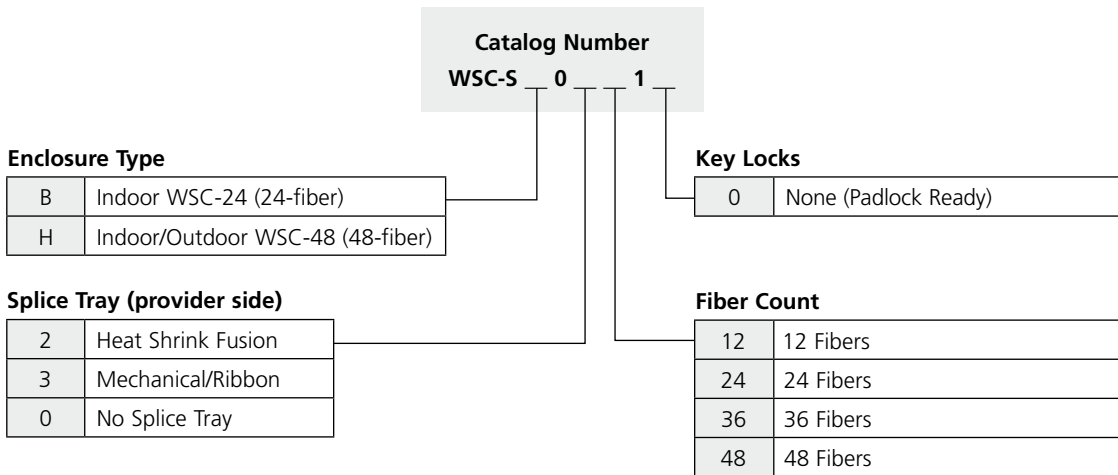
# OmniReach® FTTX Solutions

## Wall Splice Cabinet (WSC)

### Specifications

	<b>WSC-24</b>	<b>WSC-48</b>
<b>Installation Type:</b>	Indoor	Indoor/Outdoor
<b>Fiber Count (Full):</b>	24	48
<b>Splice Trays:</b>	(2) 12-Fiber	(4) 12-Fiber
<b>Cable Entry Ports:</b>	2 Top/2 Bottom	2 Bottom
<b>Pass Through Splicing:</b>	Yes	No
<b>Rating:</b>	IP40	IP40, IP55
<b>Dimensions (HxWxD):</b>	8" x 13" x 3" (20.3 cm x 33 cm x 7.6 cm)	9" x 9" x 3.5" (22.9 cm x 22.9 cm x 8.9 cm)

### Ordering Information



TECHNICAL DATA



**Web Site:** [www.adckrone.com](http://www.adckrone.com)

**EMEA Office:** ADC GmbH, Beeskowdamm, 3-11, 14167 Berlin, Germany • Phone: +49 30 8453-1818 Fax: +49 30 8453-1703. For a listing of all ADC KRONE's global sales office locations, please refer to our web site.

**UK Office:** ADC Communications (UK) Ltd., Runnings Road, Kingsditch Trading Estate, Cheltenham, Gloucestershire GL51 9NQ, United Kingdom • Phone: +44 (0) 1242 264 400 Fax: +44 (0) 1242 264 488 contactuk@adckrone.com

Specifications published here are current as of the date of publication of this document. Because we are continuously improving our products, ADC KRONE reserves the right to change specifications without prior notice. At any time, you may verify product specifications by contacting ADC GmbH headquarters in Berlin. ADC Telecommunications, Inc. views its patent portfolio as an important corporate asset and vigorously enforces its patents.

**106425BE 08/08 Revision © 2008 ADC Telecommunications, Inc. All Rights Reserved**