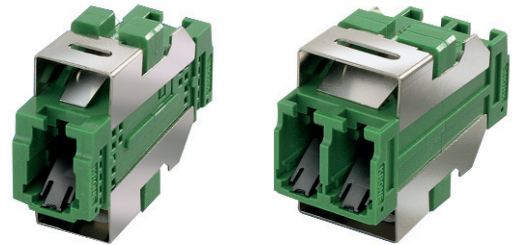
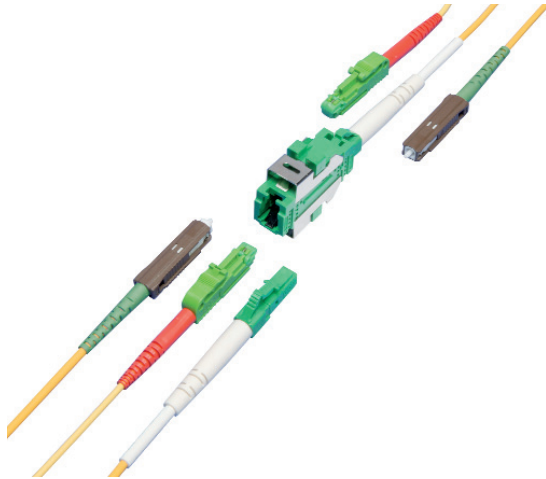


SFF Universal Adapter



The SFF (small-form-factor) universal adapter is a future-proof, high-quality alternative to the individual connector types such as LC, LX.5® and MU connectors. Each connector is fully interchangeable with the others.

Features

- Compatible with
 - LC IEC 61754-20
 - LX.5 IEC 61754-23
 - MU IEC 61754-6
- Applications:
 - At the hand-offs between active and passive equipment.
 - For test and measurement
- Includes an integrated laser shutter and a patented Front clip for securing the adapter:
 - The adapter can be released by a single movement from the front
 - Spring force ensures a secure and reliable grip, even in mounting holes with generous tolerances

- Dust protection cap can be labelled and attached
- Available for both singlemode and multimode, in simplex and duplex versions
- Compact design allows the adapters to be installed next to each other

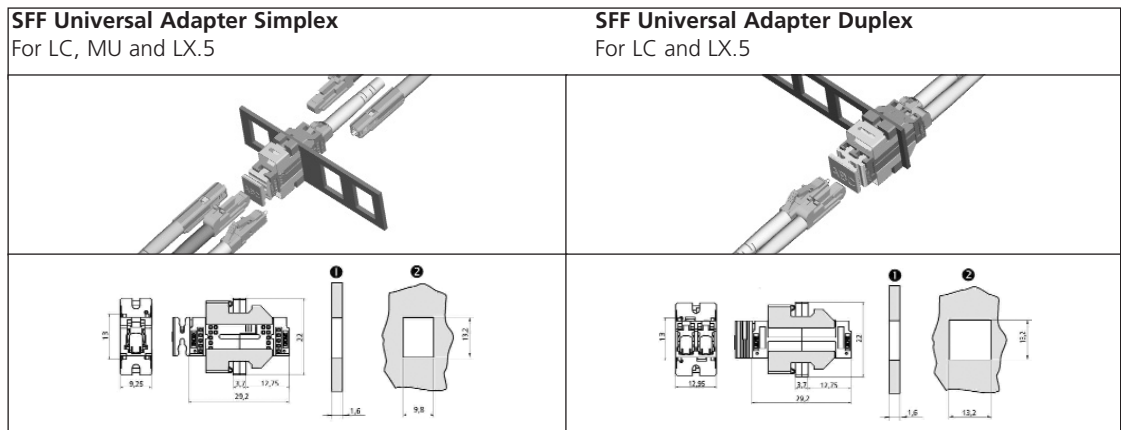
Material

- Adapter housing and laser shutters made of PEI (plastic)
- Dust protection caps made of TPE (plastic)
- Front clip made of brass, nickel plated
- Adapter sleeve (outer diameter: 1.25 mm)
 - Singlemode: Ceramic
 - Multimode: Ceramic or phosphor bronze

TECHNICAL DATA

Ordering Information

Description	Catalogue Number
SFF universal adapter, simplex Weight: 0.400kg per 100 pieces (must be ordered in quantities divisible by 100) Singlemode, ceramic sleeve UPC, blue APC, green Multimode, ceramic sleeve, PC, beige Multimode, phosphor bronze sleeve, PC, beige	7061 2 103-00 7061 2 103-01 7061 2 103-02 7061 2 103-03
SFF universal adapter, duplex Weight: 0.750kg per 100 pieces (must be ordered in quantities divisible by 100) Singlemode, ceramic sleeve UPC, blue APC, green Multimode, ceramic sleeve, PC beige Multimode, phosphor bronze sleeve, PC, beige	7061 2 203-00 7061 2 203-01 7061 2 203-02 7061 2 203-03



TECHNICAL DATA

Specifications

Technical Data

Standards for optical, mechanical and environmental characteristics

IEC 61753-2-1

•

IEC 61753-1-1

•

EN 50377-7-2/3/4

•

EN 50377-10-1

•

Split sleeve

Material

Ceramic

Ceramic or Phosphor bronze

Mechanical and environmental stability

Mating durability:

Minimum 500 mating cycles

Operating temperature range:

-40° to +85°C



KRONE



Internet: www.adckrone.com

For a listing of our global sales office locations, please refer to our web site.

ADC GmbH, Beeskowdamm, 3-11, 14167 Berlin, Germany

Phone: +49 30 8453-0 Fax: +49 30 8453-1703

Specifications published here are current as of the date of publication of this document. Because we are continuously improving our products, ADC KRONE reserves the right to change specifications without prior notice. At any time, you may verify product specifications by contacting our world headquarters office in Minneapolis. ADC Telecommunications, Inc. views its patent portfolio as an important corporate asset and vigorously enforces its patents.

101250EN 8/05 Original © 2005 ADC Telecommunications, Inc. All Rights Reserved