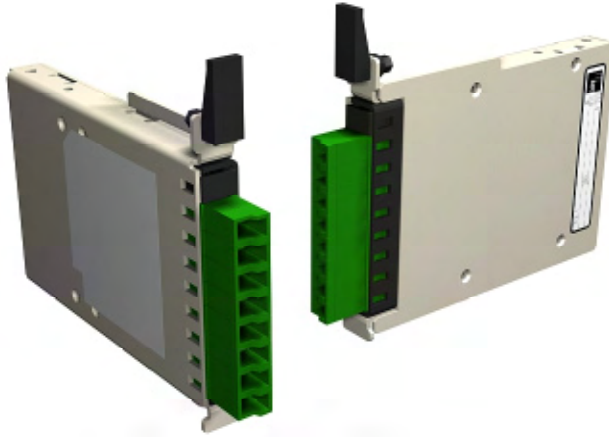


# VAM Chassis for Frames

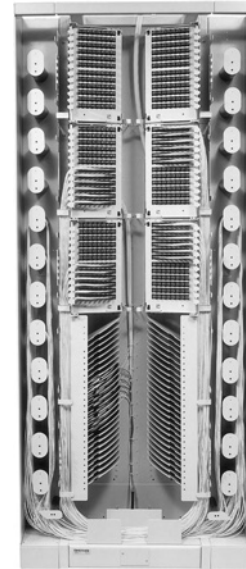
## OMX600® High-Density VAM Chassis

The OMX600® high-density VAM chassis is designed to fit into any open chassis location within new or existing OMX600 fibre distribution frames. Each chassis can accommodate a maximum of 18 high-density VAM plug-in modules, 18 bulkhead plates, 18 blank plates or any combination thereof.

02/08 • 101663BE Value-Added Module System



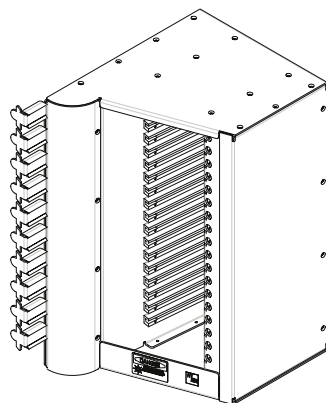
OMX600 HD VAM



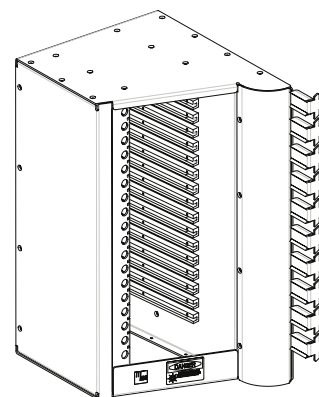
OMX600

### Ordering Information

Description	Dimensions (HxWxD)	Catalogue Number
<b>OMX600 high-density VAM chassis, unloaded - left orientation;</b> accommodates up to 18 single OMX600 high-density modules	373 mm x 227 mm x 286 mm (14.7" x 8.9" x 11.3")	MX6-HDVAMCHAS-L
<b>OMX600 high-density VAM chassis, unloaded - right orientation;</b> accommodates up to 18 single OMX600 high-density modules	373 mm x 227 mm x 286 mm (14.7" x 8.9" x 11.3")	MX6-HDVAMCHAS-R



MX6-HDVAMCHAS-L  
(Left Orientation)



MX6-HDVAMCHAS-R  
(Right Orientation)

See the following pages for module ordering information:

- Monitor Modules 17-19 • Splitter Modules 21-23 • WDM Modules 25 • CWDM Modules 27-28

To configure a complete OMX system, please contact ADC KRONE Technical Assistance Center at +32 2 712 6542