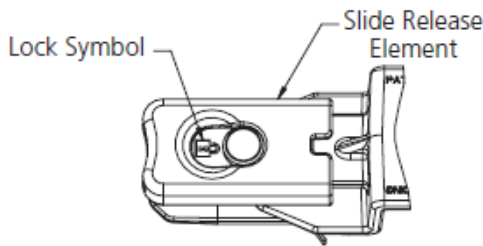
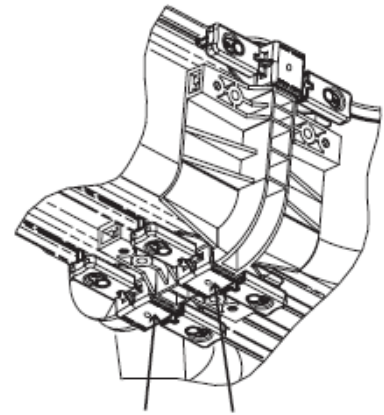
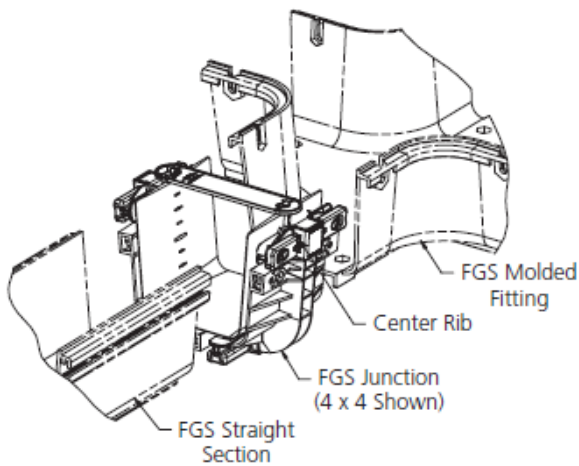


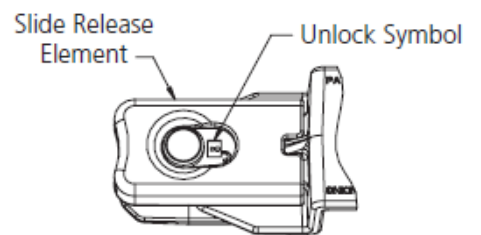
TrueNet[®] FiberGuide[®] Fibre Management System

Issue 2

ADC's FiberGuide System is the industry's most comprehensive fibre raceway system. Strong, durable and flexible, the FiberGuide System ensures total off-frame fibre protection. Easy to install, the FiberGuide System maintains its supporting strength and provides superior protection to critical fibre cables.



Locked Position
(for installation of junction)



Unlocked Position
(for removal of junction)

SPEC SHEET



adckrone.com/au • 1800 801 298 • helpdesk.au@adckrone.com

TrueNet® FiberGuide® Fibre Management System

FiberGuide Express Exit™ Units

(For use with 2x6, 4x4, 4x6 and 4x12 systems)



ADC's FiberGuide Express Exit family accommodates various raceway environments and applications. By simply securing an Express Exit to the sidewall of a FiberGuide straight section, jumpers can be permanently or temporarily routed to the fibre optic terminal (FOT) equipment or fibre distribution frames below. No cutting of the FiberGuide system is required. Positioning a drop with a member of the Express Exit family greatly simplifies installation, protects the integrity of fibres already present in the raceway, and increases overall flexibility of the raceway system.

Features:

- Speed of Installation - Save up to 40 minutes of installation time per drop
- Raceway Flexibility - Drops can easily be added anytime, anywhere
- Speed of Deployment - Add a drop to a loaded raceway in seconds
- Fibre Protection - 2-inch bend radius guaranteed; fitting does not interfere with existing fibres
- Strength and Durability - Support bracket provides stability for exiting fibres

Comparison Chart

| Express Exit Style | Height Above Sidewall | Exit Attachment | 3 mm Patch Cord Capacity | 2 mm Patch Cord Capacity | Hinged Rear Cover | Cable Management Exit Inserts |
|--------------------------|-----------------------|----------------------|--------------------------|--------------------------|-------------------|-------------------------------|
| 2-Inch Express Exit | 4 Inches | 2" x 2" ¹ | 150 | 350 | No | No |
| Low Profile Express Exit | 2 Inches | 2" x 2" ¹ | 150 | 350 | No | No |
| 4-Inch Express Exit | 4 Inches | 4" x 4" ² | 300 | 700 | Yes | Yes |

¹Accepts all standard 2" x 2" attachments

²Accepts all standard 4" x 4" attachments

TrueNet® FiberGuide® Fibre Management System



50mm Express Exit

The 50mm Express Exit, ADC's initial offering in the Express Exit product family, accommodates up to 350, 2 mm patch cords. The patch cords are routed from a 4x4, 4x6, or 4x12 straight section to FOT equipment below the raceway.



Low-Profile Express Exit

Designed for low-ceiling or height-restricted environments, the Low-Profile Express Exit features a front-removable cover and extends only 50mm above the FiberGuide® straight section sidewall. It accommodates up to 350, 2 mm patch cords and includes removable rear cable guides for additional cable management. The Low-Profile Express Exit attaches to the sidewall of any 4x4, 4x6, or 4x12 straight section.



100mm Express Exit
(shown with base and rear hinged cover)

The 100mm Express Exit accommodates up to 300, 3 mm patch cords or 700, 2 mm patch cords and distributes the cables to FOT equipment or fibre distribution frames below. The 4-Inch Express Exit includes all the features of the Express Exit family as well as insertable exit fins and removable rear cable guides for additional cable management. Its 100mm x 100mm exit opening accepts all 100mm downspout attachments. A rear-hinged cover sold separately or as a kit, is also available for 4x4, 4x6, and 4x12 raceways.



Insert fin offers an additional cable management option



Accepts all 100mm drop attachments



4 x 12 hinged cover shown attached to base cover

Ordering Information

| Description | Quantity | Colour | Product No. |
|--|----------|--------|-------------------|
| Express Exit Unit (50mm) | Bag of 1 | Yellow | FGS-MEXP-A/B/F |
| Express Exit Base with Base Cover (100mm) | Bag of 1 | | FGS-MEXP-E-A/B/F |
| Express Exit Rear Cover Kit (100mm) | Bag of 1 | | FGS-MEXC-E-A/B/F |
| Rear Cover, (100mm) Express Exit 4x4 system | Bag of 1 | | FGS-MEXC-E-A |
| Rear Cover, (100mm) Express Exit 4x6 system | Bag of 1 | | FGS-MEXC-E-B |
| Rear Cover, (100mm) Express Exit 4x12 system | Bag of 1 | | FGS-MEXC-E-F |
| Low Profile Express Exit | Bag of 1 | | FGS-MEXP-LP-A/B/F |

TrueNet® FiberGuide® Fibre Management System

FiberGuide 2x2 (50mm x 50mm) Fittings and Junctions



FGS-MHTA-C

ADC's FiberGuide Snap-Fit Junction is a completely tool-less junction. With no additional tools needed to install or remove, the junction is ready to install immediately upon arrival. Quick, and easy to use, the FiberGuide Snap-Fit Junction saves installers valuable time and money.

Features:

- Reduces installation time by one to three minutes per junction
- Completely tool-less installation and removal
- Accommodates support brackets
- Superior holding force
- Labour saving enhancements save valuable dollars

Ordering Information

| Description | Quantity | Colour | Product No. |
|--|----------|--------|-------------|
| 2x2 Horizontal Cross with Cover | Bag of 1 | Yellow | FGS-MHXP-C |
| 2x2 Horizontal Tee with Cover | Bag of 1 | | FGS-MHTA-C |
| 2x2 45° Horizontal Elbow with Cover | Bag of 1 | | FGS-MH4A-C |
| 2x2 90° Horizontal Elbow with Cover | Bag of 1 | | FGS-MH9A-C |
| 2x2 to (100mm) Straight Adaptor with Cover | Bag of 1 | | FGS-MDSA-AC |
| 2x2 End Cap Kit (includes junction) | Bag of 1 | | FGS-HMEC-C |
| 2x2 45° Up Elbow with Cover | Bag of 1 | | FGS-MU4A-C |
| 2x2 45° Down Elbow with Cover | Bag of 1 | | FGS-MD4A-C |
| 2x2 90° Down Elbow with Cover | Bag of 1 | | FGS-MD9A-C |
| 2x2 Junction | Bag of 1 | | FGS-MJWR-C |

TrueNet® FiberGuide® Fibre Management System

FiberGuide 2x2 (50mm x 50mm) Straight Section



FGS-MSHA-C

Ordering Information

| Description | Quantity | Colour | Product No. |
|---------------------------------------|----------|--------|-------------|
| 1800mm Horizontal Straight with Cover | 1 length | Yellow | FGS-MSHA-C |

FiberGuide 2x2 (50mm x 50mm) Downspout Options



FGS-MSDS-C

Ordering Information

| Description | Quantity | Colour | Product No. |
|--|----------|--------|---------------|
| 2x2 Standard Downspout with Cover | Bag of 1 | Yellow | FGS-MSDS-C |
| 2x2 Extended Downspout with Cover | Bag of 1 | | FGS-MDSP-C |
| 2x2 Flex Tube Attachment with 1.5m length of 50mm Flex Tube and 2x2 Junction | Bag of 1 | | FGS-MEX1-C-5F |
| 2x2 Extended Downspout Kit with 600mm length of 50mm Flex Tube and Cover | Bag of 1 | | FGS-KDH2-C |
| Dual 22mm Flex Tube Attachment with (2) 1.5m lengths of Flex Tube and 2x2 Junction | Bag of 1 | | FGS- KT03-C |
| Kit of 22mm Flex Tube Clamps | 1 kit | N/A | FGS-HSHC-10 |

FiberGuide 2x6 (50mm x 150mm) Fittings

Ordering Information

| Description | Quantity | Colour | Product No. |
|-----------------------------|----------|--------|---------------|
| 2x6 to 2x2 Downspout | Bag of 1 | Yellow | FGS-MDSP-G |
| 2x6 Horizontal T | Bag of 1 | | FGS-MHRT-G |
| 2x6 Horizontal Cross | Bag of 1 | | FGS-MHXP-G |
| 2x6 90° Horizontal Elbow | Bag of 1 | | FGS-MH9E-G |
| 2x6 90° Down Elbow | Bag of 1 | | FGS-MD9E-G |
| 2x6 45° Horizontal Elbow | Bag of 1 | | FGS-MH4E-G |
| 2x6 45° Up Elbow with Cover | Bag of 1 | | FGS-MU4E-G |
| 2x6 45° Down Elbow | Bag of 1 | | FGS-MD4E-G |
| 2x6 to 4x4 Adaptor | Bag of 1 | | FGS-MDSA-GA |
| 2x6 to 4x6 Adaptor | Bag of 1 | | FGS-MDSA-GB |
| 2x6 Trumpet Flare | Bag of 1 | | FGS-MTRM-G |
| 2x6 End Cap | Bag of 1 | | FGS-HMEC-G |
| 2x6 Express Kit | Bag of 1 | | FGS-MEXP-LP-G |

FiberGuide 2x6 (50mm x 150mm) Straight Section



FGS-MSHS-G

Ordering Information

| Description | Quantity | Colour | Product No. |
|--|----------|--------|--------------|
| 2x6 Horizontal Straight Section 1800mm | 1 length | Yellow | FGS-MSHS-G |
| 2x6 Horizontal Straight Section Snap-on Cover 1800mm | 1 length | | FGS-MSSC-B/G |

TrueNet® FiberGuide® Fibre Management System

FiberGuide 4x4 (100mm x 100mm) Straight Section



FGS-MSHS-A

Ordering Information

| Description | Quantity | Colour | Product No. |
|--|----------|--------|-------------|
| 1800mm Horizontal Straight Section | 1 length | Yellow | FGS-MSHS-A |
| 1800mm Horizontal Straight Section Hinged Cover | 1 length | | FGS-MSHC-A |
| 4x4 (100mm x 100mm) Expandable Straight Section | Bag of 1 | | FGS-MVAR-A |
| 1800mm Horizontal Straight Section Snap-on Cover | 1 length | | FGS-MSSC-A |

FiberGuide 2x6 (50mm x 150mm) Junction



FGS-JUNC-G

Ordering Information

| Description | Quantity | Colour | Product No. |
|--------------|----------|--------|-------------|
| 2x6 Junction | Bag of 1 | Yellow | FGS-JUNC-G |

FiberGuide 4x4 (100mm x 100mm) Fittings and Junctions



FGS-MDSP-A



FGS-MH9E-A



FGS-MFAW-A

Ordering Information

| Description | Quantity | Colour | Product No. | |
|--------------------------------------|----------|--------|----------------|--------------------|
| 4x4 Downspout | Bag of 1 | Yellow | FGS-MDSP-A | |
| 4x4 and 4x6 Downspout Cover | Bag of 1 | | FGS-MCDS-AB | |
| 4x4 Extended Downspout | Bag of 1 | | FGS-MDSP-EX-A | |
| 4x4 and 4x6 Extended Downspout Cover | Bag of 1 | | FGS-MCDS-EX-AB | |
| 4x4 Horizontal T | Bag of 1 | | FGS-MHRT-A | |
| 4x4 Horizontal T Cover | Bag of 1 | | FGS-CHRT-A | |
| 4x4 Horizontal Cross | Bag of 1 | | FGS-MHXP-A | |
| 4x4 Horizontal Cross Cover | Bag of 1 | | FGS-CHXP-A | |
| 4x4 90° Horizontal Elbow | Bag of 1 | | FGS-MH9E-A | |
| 4x4 90° Horizontal Elbow Cover | Bag of 1 | | FGS-CH9E-A | |
| 4x4 45° Horizontal Elbow | Bag of 1 | | FGS-MH4E-A | |
| 4x4 90° Horizontal Elbow Cover | Bag of 1 | | FGS-CH4E-A | |
| 4x4 90° Up Elbow with Cover | Bag of 1 | | FGS-MU9E-A | |
| 4x4 90° Down Elbow | Bag of 1 | | FGS-MD9E-A | |
| 4x4 90° Down Elbow Cover | Bag of 1 | | FGS-CD9E-A | |
| 4x4 45° Up Elbow with Cover | Bag of 1 | | FGS-MU4E-A | |
| 4x4 45° Down Elbow | Bag of 1 | | FGS-MD4E-A | |
| 4x4 45° Down Elbow Cover | Bag of 1 | | FGS-CD4E-A | |
| 4x4 to 4x6 Straight Adaptor | Bag of 1 | | FGS-MDSA-AB | |
| 4x4 to 4x6 Straight Adaptor Cover | Bag of 1 | | FGS-CDSA-AB | |
| 4x4 End Cap | Bag of 1 | | FGS-HMEC-A | |
| 4x4 Snap-Fit Junction | Bag of 1 | | FGS-MFAW-A | |
| 4x4 Cut-in T | Bag of 1 | | FGS-MHIS-A | |
| 4x4 IFC Tie Bracket | Bag of 1 | | Black | FGS-HIFC-A |
| Cut-in Fixture | Box of 1 | | N/A | FGS-MHIS-JIG-A/B/F |

TrueNet® FiberGuide® Fibre Management System

**FiberGuide 4x4 (100mm x 100mm)
and 4x6 (100mm x 150mm) Downspout Options**



FGS-MDSP-EX-A

Ordering Information

| Description | Quantity | Colour | Product No. |
|--|----------|--------|---------------|
| 4x4 Downspout Junction Kit | Bag of 1 | Yellow | FGS-MJWR-A |
| 2x2 Flex Tube Attachment with 1.5m length of 50mm Flex Tube and 2x2 Junction | Bag of 1 | | FGS-MEX1-C-5F |
| 4x4 Trumpet Flare Kit | Bag of 1 | | FGS-MTRM-A |
| 100mm square to 50mm round Adaptor with 1.5m length of Flex Tube | Bag of 1 | | FGS-ASRI-5F |
| 100mm square to 50mm round Adaptor with 3m length of Flex Tube | Bag of 1 | | FGS-ASRI-10F |
| 100mm square to 50mm round Adaptor with 4.5m length of Flex Tube | Bag of 1 | | FGS-ASRI-15F |
| 4x4 Single Flex Tube Attachment with (1) 1.5m length of 50mm Flex Tube | Bag of 1 | | FGS-KT03-A1 |
| 4x4 Dual Flex Tube Attachment with (2) 1.5m lengths of 50mm Flex Tube | Bag of 1 | | FGS-KT03-A |

TrueNet[®] FiberGuide[®] Fibre Management System

FiberGuide 2x6 (50mm x 150mm), 4x4 (100mm x 100mm)
and 4x6 (100mm x 150mm) Support Kits



FGS-HNTR-XX

Ordering Information

| Description | Quantity | Product No. |
|--|----------|------------------|
| New Threaded Rod Bracket 16mm | Bag of 1 | FGS-HNTR-16mm |
| New Threaded Rod Bracket 12mm | Bag of 1 | FGS-HNTR-12mm |
| Existing Threaded Rod Bracket 16mm | Bag of 1 | FGS-HETR-16mm |
| Existing Threaded Rod Bracket 12mm | Bag of 1 | FGS-HETR-12mm |
| Centre Support Bracket 16mm | Bag of 1 | FGS-HTUB-16mm |
| Centre Support Bracket 12mm | Bag of 1 | FGS-HTUB-12mm |
| L bay Support Bracket | Bag of 1 | FGS-HLBK |
| Top Support C-bracket | Bag of 1 | FGS-HNTS-16mm |
| Top Support Low Profile C-bracket | Bag of 1 | FGS-HNTS-16mm-LP |
| Ladder Rack Centre Support Bracket Kit | Bag of 1 | FGS-HNLR-AB |

FiberGuide 4x6 (100mm x 150mm) Fittings and Junctions



FGS-MDSP-B



FGS-MFAW-B



FGS-MU9E-B

Ordering Information

| Description | Quantity | Colour | Product No. | |
|----------------------------------|----------|--------|----------------|--------------------|
| 4x6 Downspout | Bag of 1 | Yellow | FGS-MDSP-B | |
| 4x4/4x6 Downspout Cover | Bag of 1 | | FGS-MCDS-AB | |
| 4x6 Extended Downspout | Bag of 1 | | FGS-MDSP-EX-B | |
| 4x4/4x6 Extended Downspout Cover | Bag of 1 | | FGS-MCDS-EX-AB | |
| 4x6 Horizontal T | Bag of 1 | | FGS-MHRT-B | |
| 4x6 Horizontal T Cover | Bag of 1 | | FGS-CHRT-B | |
| 4x6 Horizontal Cross | Bag of 1 | | FGS-MHXP-B | |
| 4x6 Horizontal Cross Cover | Bag of 1 | | FGS-CHXP-B | |
| 4x6 90° Horizontal Elbow | Bag of 1 | | FGS-MH9E-B | |
| 4x6 90° Horizontal Elbow Cover | Bag of 1 | | FGS-CH9E-B | |
| 4x6 45° Horizontal Elbow | Bag of 1 | | FGS-MH4E-B | |
| 4x6 45° Horizontal Elbow Cover | Bag of 1 | | FGS-CH4E-B | |
| 4x6 45° Up Elbow with Cover | Bag of 1 | | FGS-MU4E-B | |
| 4x6 45° Down Elbow | Bag of 1 | | FGS-MD4E-B | |
| 4x6 45° Down Elbow Cover | Bag of 1 | | FGS-CD4E-B | |
| 4x6 90° Down Elbow | Bag of 1 | | FGS-MD9E-B | |
| 4x6 90° Down Elbow Cover | Bag of 1 | | FGS-CD9E-B | |
| 4x6 90° Up Elbow with Cover | Bag of 1 | | FGS-MU9E-B | |
| 4x6 Cut-in T | Bag of 1 | | FGS-MHIS-B | |
| 4x6 Trumpet Flare Kit | Bag of 1 | | FGS-MTRM-B | |
| 4x6 End Cap | Bag of 1 | | FGS-HMEC-B | |
| 4x6 Snap-Fit Junction | Bag of 1 | | FGS-MFAW-B | |
| 4x6 IFC Tie Bracket | Bag of 1 | | Black | FGS-HIFC-B |
| Cut-in T Fixture | Box of 1 | | N/A | FGS-MHIS-JIG-A/B/F |

TrueNet[®] FiberGuide[®] Fibre Management System

FiberGuide 4x6 (100mm x 150mm) Straight Section



FGS-MSHS-B

Ordering Information

| Description | Quantity | Colour | Product No. |
|--|----------|--------|--------------|
| 1800mm Horizontal Straight Section | 1 length | Yellow | FGS-MSHS-B |
| 1800mm Horizontal Straight Section Hinged Cover | 1 length | | FGS-MSHC-B |
| 4x6 (100mm x 150mm) Expandable Straight Section | Bag of 1 | | FGS-MVAR-B |
| 1800mm Horizontal Straight Section Snap-on Cover | 1 length | | FGS-MSSC-B/G |

FiberGuide 4x12 (100mm x 300mm) Fittings



FGS-MH9E-F

Ordering Information

| Description | Quantity | Colour | Product No. | |
|------------------------------|----------|--------|--------------|--------------------|
| 4x12 Horizontal T | Bag of 1 | Yellow | FGS-MHRT-F | |
| 4x12 to 4x6 Horizontal T | Bag of 1 | | FGS-MHRT-F/B | |
| 4x12 Horizontal Cross | Bag of 1 | | FGS-MHXP-F | |
| 4x12 to 4x6 Horizontal Cross | Bag of 1 | | FGS-MHXP-B/F | |
| 4x12 to 4x6 Adaptor | Bag of 1 | | FGS-MDSA-FB | |
| 4x12 90° Horizontal Elbow | Bag of 1 | | FGS-MH9E-F | |
| 4x12 45° Horizontal Elbow | Bag of 1 | | FGS-MH4E-F | |
| 4x12 End Cap | Bag of 1 | | FGS-HMEC-F | |
| 4x12 Cut-in T | Bag of 1 | | FGS-MHIS-F | |
| 4x12 45° Up Elbow with Cover | Bag of 1 | | FGS-MU4E-F | |
| 4x12 45° Down Elbow | Bag of 1 | | FGS-MD4E-F | |
| 4x12 90° Down Elbow | Bag of 1 | | FGS-MD9E-F | |
| 4x12 Trumpet Flare Kit | Bag of 1 | | FGS-MTRM-F | |
| 4x12 Downspout with 4x6 Exit | Bag of 1 | | FGS-MDSP-F | |
| 4x12 Downspout with Rear T | Bag of 1 | | FGS-MDRT-F | |
| 4x12 to dual 4x6 Adaptor | Bag of 1 | | FGS-MDSA-F2B | |
| 4x12 IFC Tie Bracket | Bag of 1 | | Black | FGS-HIFC-F |
| Cut-in Fixture | Box of 1 | | N/A | FGS-MHIS-JIG-A/B/F |

TrueNet® FiberGuide® Fibre Management System

FiberGuide 4x12 (100mm x 300mm) Straight Section



FGS-MSHS-F

Ordering Information

| Description | Quantity | Colour | Product No. |
|--|----------|--------|-------------|
| 1800mm Horizontal Straight Section | 1 length | | FGS-MSHS-F |
| 4x12 (100mm x 300mm) Expandable Straight Section | Bag of 1 | Yellow | FGS-MVAR-F |
| 1800mm Snap-on Cover | 1 length | | FGS-MSSC-F |

FiberGuide 4x12 (100mm x 300mm) Junction



FGS-MFAW-F

Ordering Information

| Description | Quantity | Colour | Product No. |
|------------------------|----------|--------|-------------|
| 4x12 Snap Fit Junction | Bag of 1 | Yellow | FGS-MFAW-F |

FiberGuide 4x12 (100mm x 300mm) System Support Kits

Ordering Information

| Description | Quantity | Product No. |
|--|----------|--------------------|
| New Threaded Rod Bracket 16mm | Bag of 1 | FGS-HNTR-F-16mm |
| Existing Threaded Rod Bracket 16mm | Bag of 1 | FGS-HETR-F-16mm |
| Top Support Threaded Rod Bracket | Bag of 1 | FGS-HNTS-F-16mm |
| Top Support Low Profile Threaded Rod Bracket Kit | Bag of 1 | FGS-HNTS-F-16mm-LP |
| Trapeze Bracket Kit | Bag of 1 | FGS-HNTP-F-5/8 |
| Ladder Rack Centre Support Bracket Kit | Bag of 1 | FGS-HNLR-F |

FiberGuide Vertical Duct Systems

FGS-KTW2-D



Ordering Information

| Description | Quantity | Colour | Product No. |
|--|----------|--------|-------------|
| 2x2 Vertical Slotted Duct Kit, 1800mm | 1 kit | Yellow | FGS-KTW1-C |
| 2x2 Vertical 38mm Slotted Duct Kit, 1800mm | 1 kit | Yellow | FGS-KTW1-CA |
| 2x2 Vertical Solid Duct Kit | 1 kit | Yellow | FGS-KTW4-C |
| 1x2 Vertical Duct Kit | 1 kit | Yellow | FGS-KTW1-E |
| 1x2 Solid Vertical Duct Kit | 1 kit | Yellow | FGS-KTW4-E |
| 2x2 Vertical to 1x2 Vertical Adaptor Bracket | Bag of 1 | Black | FGS-ACC063 |
| 2x2 Vertical Slotted Duct, 1800mm | 1 length | Yellow | FGS-MSHS-C |
| 2x2 Vertical 38mm Slotted Duct, 1800mm | 1 length | Yellow | FGS-MSHS-CA |
| Cover for 2x2 Vertical Duct, 1800mm | 1 length | Yellow | FGS-MSHC-C |
| 2x2 Vertical Duct Mounting Bracket | Bag of 1 | Black | FGS-HWMB-C |
| 4x4 Vertical Duct Kit | 1 kit | Yellow | FGS-KTW2-D |
| 4x4 Vertical Adaptor Junction Kit | 1 kit | Yellow | FGS-MJWR-D |
| 4x4 Vertical Slotted Duct, 1800mm | 1 length | Yellow | FGS-MSHS-D |
| Cover for 4x4 Vertical Duct, 1800mm | 1 length | Yellow | FGS-MSHC-D |
| 4x4 Vertical Duct Mounting Bracket | Bag of 1 | Yellow | FGS-HWMB-D |

TrueNet® FiberGuide® Fibre Management System

FiberGuide Accessories



FGS-MIDY

Ordering Information

| Description | Quantity | Colour | Product No. |
|--|-------------|--------|---------------|
| Flex Tubing | | | |
| 22mm outer diameter slotted Flex Tube – 1.5m | 1.5m | Yellow | FGS-MFTY-5F |
| 22mm outer diameter slotted Flex Tube – 3.0m | 3.0m | | FGS-MFTY-10F |
| 22mm outer diameter slotted Flex Tube – 4.5m | 4.5m | | FGS-MFTY-15F |
| 22mm outer diameter slotted Flex Tube – 60m | 60m | | FGS-MFTY-200F |
| 25mm outer diameter slotted Flex Tube – 30m | 30m | Yellow | FGS-MLDY-100F |
| 25mm outer diameter slotted Flex Tube – 45m | 45m | | FGS-MLDY-150F |
| 25mm outer diameter slotted Flex Tube – 60m | 60m | | FGS-MLDY-200F |
| 25mm outer diameter slotted Flex Tube – 75m | 75m | | FGS-MLDY-250F |
| 50mm outer diameter slotted Flex Tube – 1.5m | 1.5 | Yellow | FGS-MIDY-5F |
| 50mm outer diameter slotted Flex Tube – 3.0m | 3.0m | | FGS-MIDY-10F |
| 50mm outer diameter slotted Flex Tube – 4.5m | 4.5m | | FGS-MIDY-15F |
| Accessories | | | |
| Hinge Kit for 4x4 and 4x6 Covers (kit of 1) | Bag of 1 | Black | FGS-HHGK |
| Self-closing Hinge (kit of 3) | Bag of 1 | Black | FGS-HVHG |
| Retainer Rings (kit of 10) | 1 kit of 10 | Black | FGS-HFRR-10 |
| Trough Cover Clip Kit | Bag of 3 | Black | FGS-KTO9 |
| Mitre Box and Saw | Box of 1 | N/A | FGS-MKIT-ABF |
| Quick Knobs (10) | Bag of 10 | Black | FGS-KQKB |
| Quick Knobs (100) | Bag of 100 | Black | FGS-HQKK |
| Flex Tube Clamps (kit of 10) | Bag of 10 | Black | FGS-HHEC-10 |

SPEC SHEET



www.adckrone.com/au

AUSTRALIA 2 Hereford Street, Berkeley Vale NSW 2261
Mailing Address: PO Box 335, Wyong NSW 2259, Australia
Sales Support: 1800 801 298

www.adckrone.com/nz

NEW ZEALAND 2 Nevis Street, Petone, Wellington
Mailing Address: PO Box 38-177, Wellington Mail Centre 6008, New Zealand
Sales Support: 0800 657 663

ADC Telecommunications, Inc., P.O. Box 1101, Minneapolis, Minnesota USA 55440-1101

Specifications published here are current as of the date of publication of this document. Because we are continuously improving our products, ADC reserves the right to change specifications without prior notice. At any time, you may verify product specifications by contacting our headquarters office in Minneapolis. ADC Telecommunications, Inc. views its patent portfolio as an important corporate asset and vigorously enforces its patents. Products or features contained herein may be covered by one or more U.S. or foreign patents. An Equal Opportunity Employer

FGS / Issue 2 © 2010 ADC Telecommunications, Inc. All Rights Reserved.