

TrueNet®

Category 6_A Cable Management Bracket

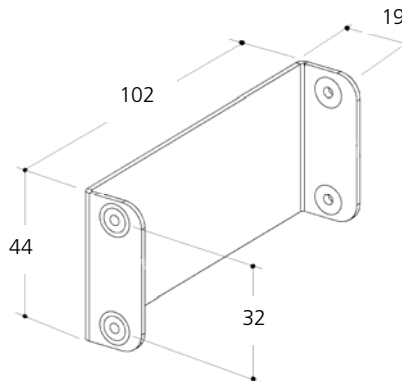
Issue 2



Used as a stand-off behind a 19" frame (with a single mounting rail) to attach the rear cable manager of the Category 6_A 24-port Patch Panels TPNP-24NC10-BK-A and TPNP-24APC10-UN-A.

Features:

- Fastens on to the rear of the 19" rack vertical
- Increases the distance between the rear of the patch panel and the rear cable manager
- Powder coated metal with threaded inserts



SPEC SHEET

Ordering Information

Description	Quantity	Colour	Product No.
Category 6 _A Cable Management Bracket	Box of 2	Black	TPNP-NNC10-WM-BKT

adckrone.com/au • 1800 801 298 • helpdesk.au@adckrone.com



ADC Telecommunications, Inc., P.O. Box 1101, Minneapolis, Minnesota USA 55440-1101
 Specifications published here are current as of the date of publication of this document. Because we are continuously improving our products, ADC reserves the right to change specifications without prior notice. At any time, you may verify product specifications by contacting our headquarters office in Minneapolis. ADC Telecommunications, Inc. views its patent portfolio as an important corporate asset and vigorously enforces its patents. Products or features contained herein may be covered by one or more U.S. or foreign patents. An Equal Opportunity Employer

TPNP-NNC10-WM-BKT / Issue 2 © 2010 ADC Telecommunications, Inc. All Rights Reserved.