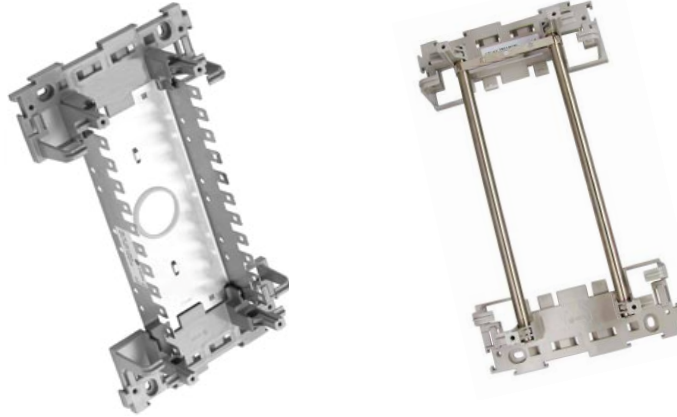


TrueNet®

Jumperable Frame – Profil® and Backmount

Issue 2



Jumperable Backmount Frame, 11 way Jumperable Profil Frame, 11 way

100 or 250-pair frames for internal use as a campus distributor, building distributor or floor distributor, at or beyond the network boundary. For the mounting of Series 2 or HighBand® modules. Typically one label holder is used every 100 pairs.

Features:

- Accepts ADC KRONE's Jumperable Frame Covers
- Profil frames come complete with an earth strap
- Frames interlock to provide the correct mounting dimensions
- Frames have cable tie-off points to assist with cable management

Specifications

Material: Stainless steel
Overall dimensions
11 Way: 366mm (H) x 202mm (W) x 123mm (D)
27 Way: 719mm (H) x 202mm (W) x 123mm (D)

SPEC SHEET

Ordering Information

Description	Quantity	Product No.
Jumperable Frame, Backmount, 11 Way	Box of 1	6455 2 034-00
Jumperable Frame, Backmount, 27 Way	Box of 1	6455 2 034-01
Jumperable Frame, Profil, 11 Way	Box of 1	6460 1 042-00
Jumperable Frame, Profil, 27 Way	Box of 1	6460 1 042-01

adckrone.com/au • 1800 801 298 • helpdesk.au@adckrone.com



ADC Telecommunications, Inc., P.O. Box 1101, Minneapolis, Minnesota USA 55440-1101
Specifications published here are current as of the date of publication of this document. Because we are continuously improving our products, ADC reserves the right to change specifications without prior notice. At any time, you may verify product specifications by contacting our headquarters office in Minneapolis. ADC Telecommunications, Inc. views its patent portfolio as an important corporate asset and vigorously enforces its patents. Products or features contained herein may be covered by one or more U.S. or foreign patents. An Equal Opportunity Employer

6455 2 034-XX & 6460 1 042-XX / Issue 2 © 2010 ADC Telecommunications, Inc. All Rights Reserved.