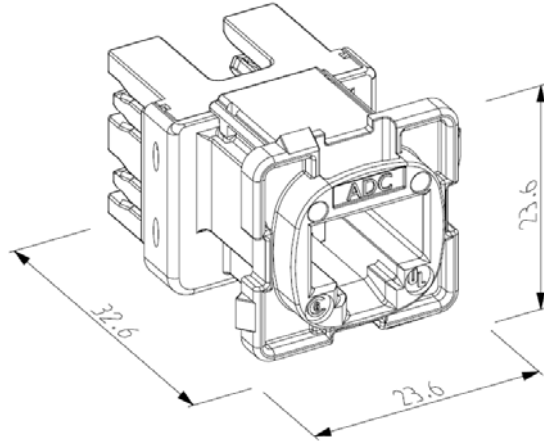


# TrueNet®

## Category 6 Flush Mount Outlet

Issue 4



The Category 6 Flush Mount Outlet is a high speed data and voice transmission RJ45 outlet assembly, and are suitable for the direct termination of 100Ω twisted pair plastic insulated copper wires to LSA-PLUS® insulation displacement connectors.

### Features:

- The Outlets clip directly into Clipsal/HPM faceplates
- LSA-PLUS® silver-plated 45° angled contacts for the most secure and reliable connection available
- Outlets can be terminated with either an ADC KRONE or 110 type tool

### Specifications

Environment for use:.....Indoors, in closed rooms  
 Operation temperature range: ..... -20°C to + 60°C  
 Relative humidity: ..... ≤93% non-condensing  
 RJ Socket, 8 positions, general specification: .....FCC 68.500  
 ..... IEC 603-7  
 Voltage/Current rating at 25°C ambient:..... ≤ 150 V AC at 2.5 A max.  
 Dielectric strength: ..... ≥1.5 kVAC  
 RJ Interface resistance: ..... ≤20mΩ

Wire diameter range for solid & stranded copper conductors: .....0.50 – 0.65mm\*(24-22 AWG)  
 Wire Insulation diameter range (PE, PVC): ..... 1.04 – 1.40mm  
 Transmission, performance and reliability: ..... ≥ TIA/EIA 568-B.2-1 Category 6  
 ..... ≥ ISO/IEC 11801 Class E

SPEC SHEET



[adckrone.com/au](http://adckrone.com/au) • 1800 801 298 • [helpdesk.au@adckrone.com](mailto:helpdesk.au@adckrone.com)

# TrueNet®

## Category 6 Outlet

Number of plug insertion cycles: ..... ≥750  
 Number of wire terminations,  
 ADC KRONE tool: ..... ≥200  
 110 tool:..... ≥10  
 Flammability of plastic components:..... UL 94 V-0  
 ACMA Compliant

\* If any conductors have been terminated, reversal to smaller conductors is no longer possible.

### Ordering Information

Description	Quantity	Colour	Product No.
Flush Mount Outlet	Bag of 10	White	6467 4 202-00
Flush Mount Outlet	Bag of 10	Black	6467 4 202-10
Flush Mount Outlet	Bag of 10	Grey	6467 4 202-20
Flush Mount Outlet	Bag of 10	Ivory	6467 4 202-30
Flush Mount Outlet	Bag of 10	Blue	6467 4 202-40
Flush Mount Outlet	Bag of 10	Red	6467 4 202-50
Flush Mount Outlet	Bag of 10	Yellow	6467 4 202-90

SPEC SHEET



**www.adckrone.com/au**  
 AUSTRALIA 2 Hereford Street, Berkeley Vale NSW 2261  
 Mailing Address: PO Box 335, Wyong NSW 2259, Australia  
 Sales Support: 1800 801 298

**www.adckrone.com/nz**  
 NEW ZEALAND 2 Nevis Street, Petone, Wellington  
 Mailing Address: PO Box 38-177, Wellington Mail Centre 6008, New Zealand  
 Sales Support: 0800 657 663

ADC Telecommunications, Inc., P.O. Box 1101, Minneapolis, Minnesota USA 55440-1101  
 Specifications published here are current as of the date of publication of this document. Because we are continuously improving our products, ADC reserves the right to change specifications without prior notice. At any time, you may verify product specifications by contacting our headquarters office in Minneapolis. ADC Telecommunications, Inc. views its patent portfolio as an important corporate asset and vigorously enforces its patents. Products or features contained herein may be covered by one or more U.S. or foreign patents. An Equal Opportunity Employer

6467 4 202-XX / Issue 4 © 2008 ADC Telecommunications, Inc. All Rights Reserved.