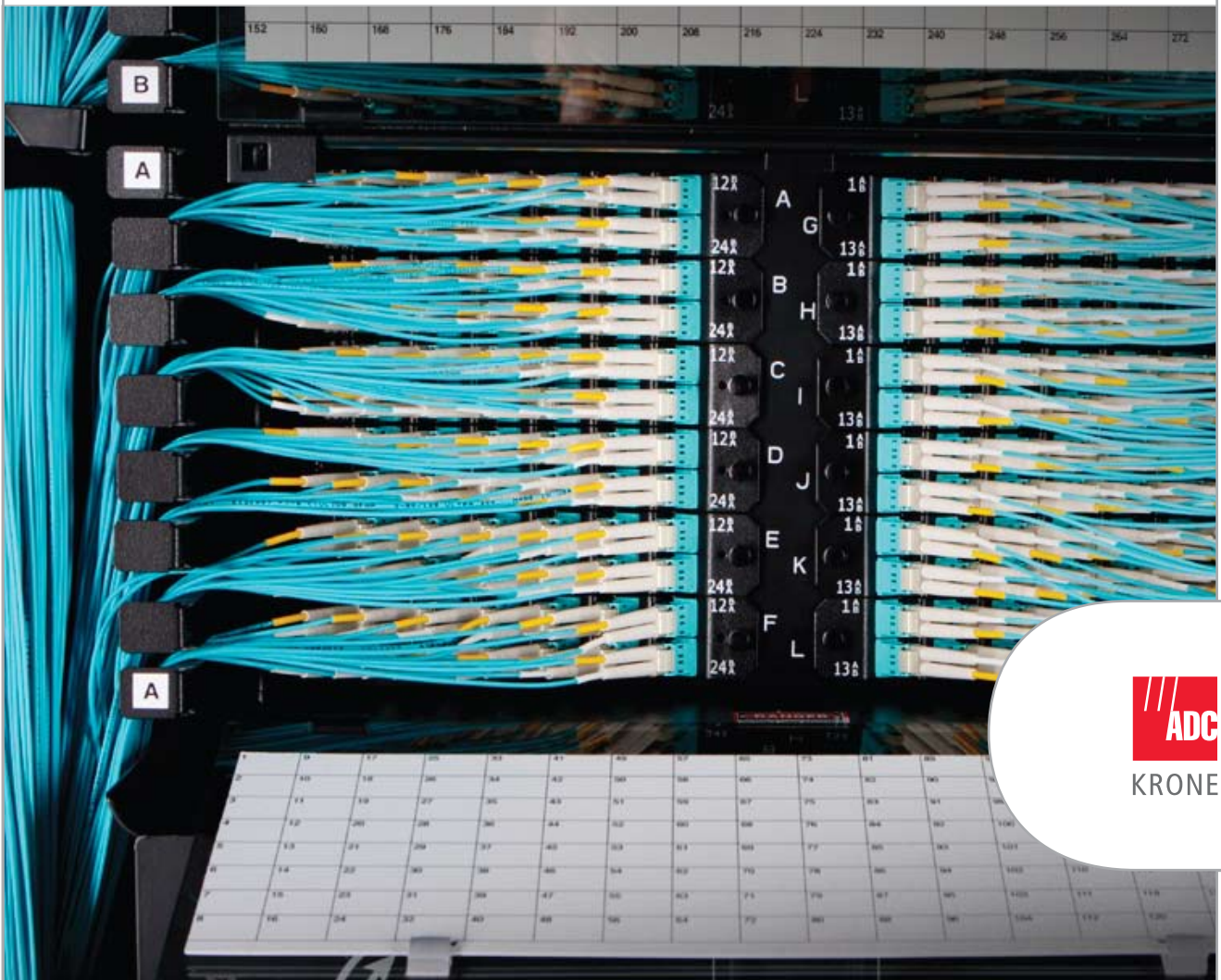


TrueNet®

Fibre Panel and MPO Solutions



High density plug-and-play fibre panel solutions for LAN and Data Centre applications.

TrueNet® Fibre Panel and MPO Solutions

Data Centre-grade Network Infrastructure Solutions

The network is the hub of most organisations. But it's surprising how little thought is typically given to the network infrastructure. Considering that your network infrastructure will most likely support three generations of active equipment, or 10-20 years, more care should be given to the choices made at the all-important physical layer. This is especially true when you consider that 70% of network downtime can be attributed to physical layer problems. Specifically, cabling faults.

Indeed, millions of dollars can be lost in a matter of minutes if networks go "down". With this much at stake, and the fact that your physical layer expense is typically 5-10 percent of your IT infrastructure investment, why would you even consider a structured cabling solution that is not true data centre-grade?

ADC KRONE has a long history of delivering high speed, high bandwidth communication networks. These high reliability networks have infrastructures that perform to the multi-gigabit technologies.

Managed Density for the forward thinking network manager

Network growth and management is a key consideration when selecting a physical hardware solution, but these factors are often overlooked. ADC KRONE's managed density approach takes the long view of LAN, SAN and data centre design with cable management features that ensure maximum density and growth without disrupting service or adding unneeded floor space. Managed density ensures the networks can grow today and be managed tomorrow, allowing network managers to efficiently pay for their network investment as it grows.

Active network equipment can only perform if the cables perform – a gigabit port is of no value if attenuation from a damaged cable impedes performance or if restricted access delays fibre end face maintenance. That's why ADC KRONE's managed density fibre solutions are designed for the long term and offer market leading quality assurance.

Plug-and-Play

ADC KRONE's Fibre plug-and-play solutions are designed to address the reliability, scalability, and thermal needs of today's mission-critical networks. The product suite includes plug-and-play MPO solutions for TrueNet Fibre products for placement in the main distribution area (MDA), backbone, and horizontal and equipment distribution areas.

TrueNet plug-and-play solutions are factory pre-terminated and designed for ease of installation. This allows for a seamless and efficient installation process, saving on project costs.

These solutions are covered by the TrueNet Warranty, when installed by an ADC KRONE TrueNet Integrator. These unique plug-and-play solutions promote increased network reliability through properly managed and scalable cable density, which encourages proper airflow and reduces overall installation and maintenance costs.

Polarity Made Simple

One of the most common questions regarding MPO deployments is how the system design addresses the polarity issue of the fibre. ADC KRONE's TrueNet system employs the recommendations made in ANSI/TIA standard ANSI/TIA-568-C.1-7 Figure 1: Connectivity Method A for Duplex Signals (shown below).

TrueNet plug-and-play solutions use a key up/key down array in the trunk, as described in the standard ANSI/TIA-568-C.1-7. The standard plug-and-play cassettes are wired straight through. In addition, TrueNet standard duplex jumpers have a duplex clip that is easily removed for polarity changes in the field.

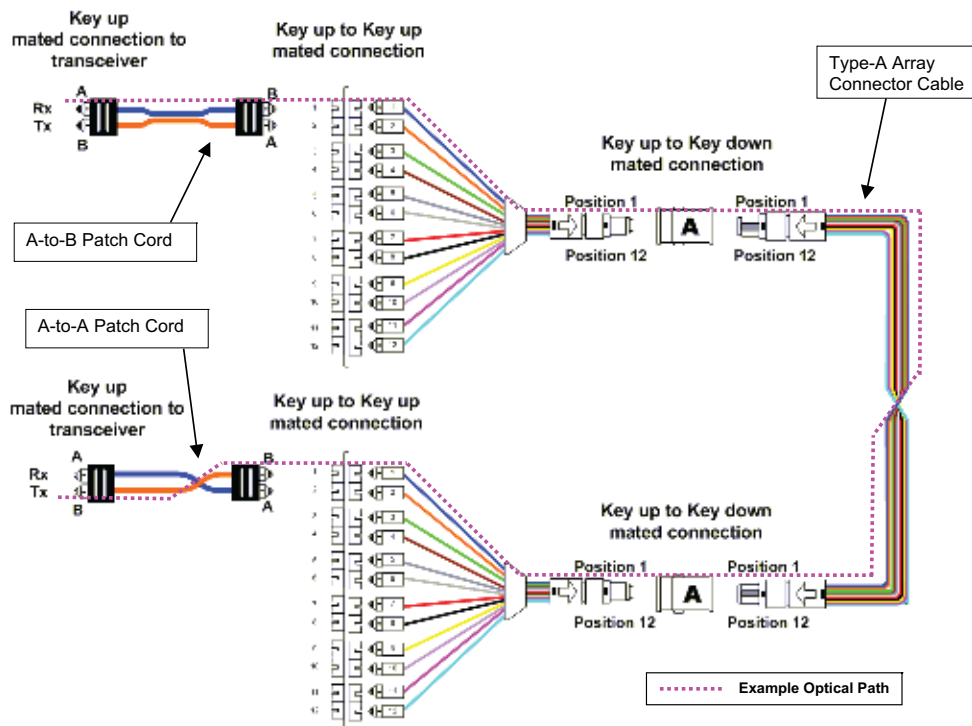
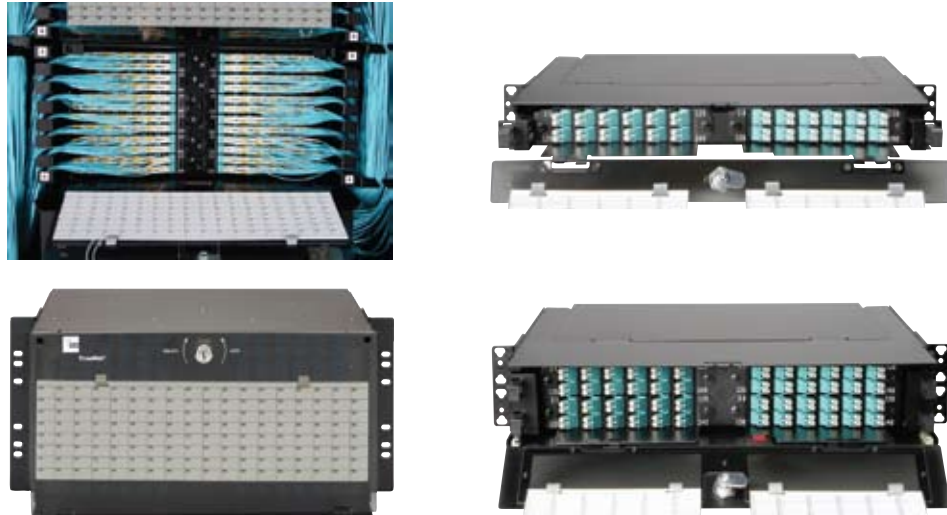


Figure 1: Connectivity Method A for Duplex Signals

TrueNet® Fibre Panel and MPO Solutions



The TrueNet® Fibre Patch Panels offer high performance and reliability from a connectivity brand you can trust.

These high density panels offer 288-positions in just 5 rack units. The panels can be ordered in one, two and five rack unit sizes and are completely modular to configure to a variety of applications. The unique modular adaptor packs incorporate ADC KRONE's angled adaptor design to allow easy access to each port and superior cable management and bend radius protection.

TrueNet Fibre Panels combine the unique features of vertical cable guides and angle-left/angle-right adaptors, offering bend radius protection, intuitive routing and easy connector access.

The rear panel access makes field termination or splicing fast and efficient. The 1U and 2U versions feature convenient sliding access to terminations and splicing.

The panels are best suited for rack or cabinet mounting in Horizontal and Equipment Distribution Areas and they are equipped with adjustable mounting brackets to provide either 19- or 23-inch rack or cabinet mounting (EIA or WECCO) as well as 4- or 5-inch recess mounting.

The modularity, functionality and density of these products make the TrueNet Fibre Panels ideal for mounting in close proximity to servers, switches, routers and SANs.

The TrueNet Fibre Panels' functionality can be extended with its MPO plug-and-play angled cassettes. The cassettes snap into place effortlessly and even come from the factory pre-labeled with simple installation instructions.

Product Overview

Recommended Applications	Multi-purpose high density modular solution ideal for cabinet or rack mount applications near servers, switches, routers and SANS
Description	Termination, termination/splice
Chassis sizes (in rack units)	1, 2, and 5
Termination only capacity using:	
Simplex adaptors	24, 48, 144
Duplex adaptors	24, 48, 144
Small form factor (LC)	48, 96, 288
Flexibility/ability to grow	Ideal for growth
Interconnect	Yes
Cross-connect	Yes
Accommodates on-frame splicing	Yes
Rear access	Yes
All-front-access	No
Customer premises application	Ideal
19" mounting	Yes
23" mounting	Yes
Cabinet mount	Yes
Wall mount	No
Mix equipment with fibre product?	Ideal
Vertical cable guide	Ships with every panel
Features at a glance	Angled left/right adaptor packs, highest density with maximum cable management features

TrueNet Fibre Panels' chassis utilise modular adaptor packs that are unique to either the right or left position of the chassis. The left/right position must be specified to ensure proper adaptor orientation and colour order in the backplane. The information on the following page illustrates the various configurations for the three panel chassis.

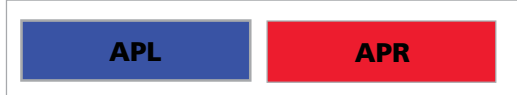
TrueNet® Fibre Panel and MPO Solutions



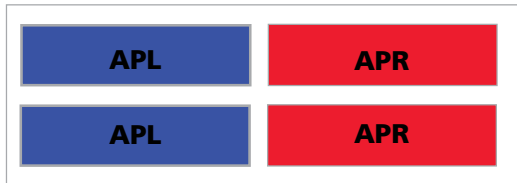
TrueNet® Fibre Panel and MPO Solutions

Panel Configurations

1 RU CHASSIS

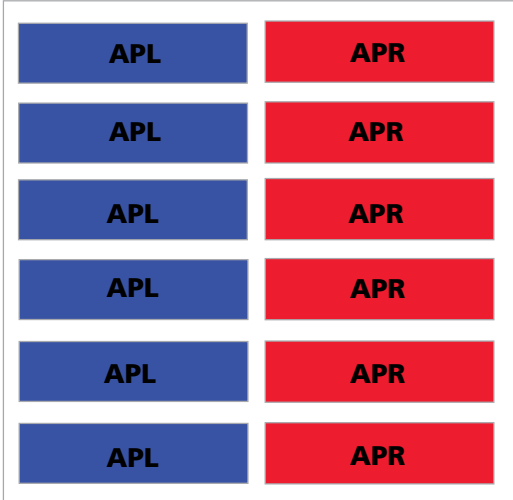


2 RU CHASSIS



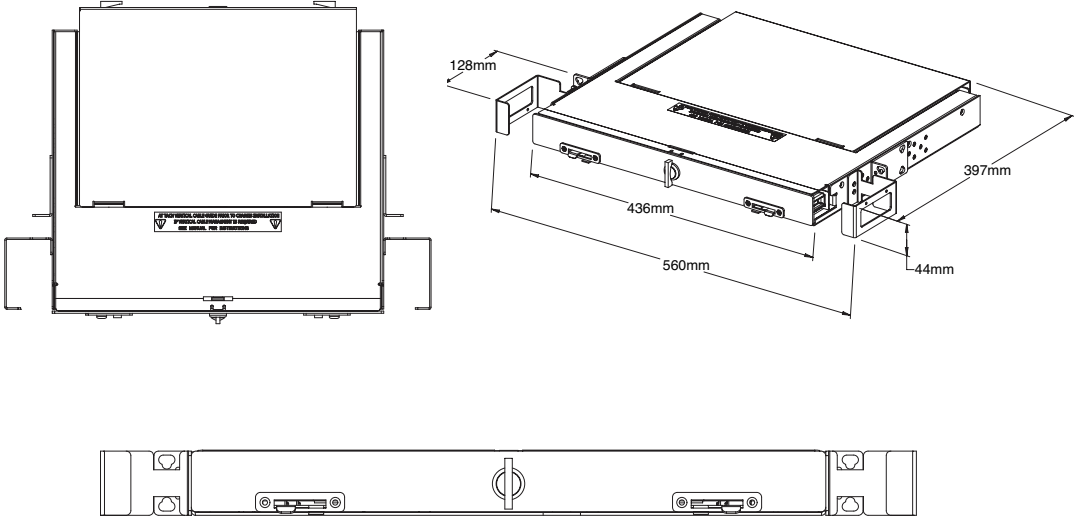
APL = angle left adaptor pack
 APR = angle right adaptor pack

5 RU CHASSIS



Chassis Dimensions

1 RU MODEL

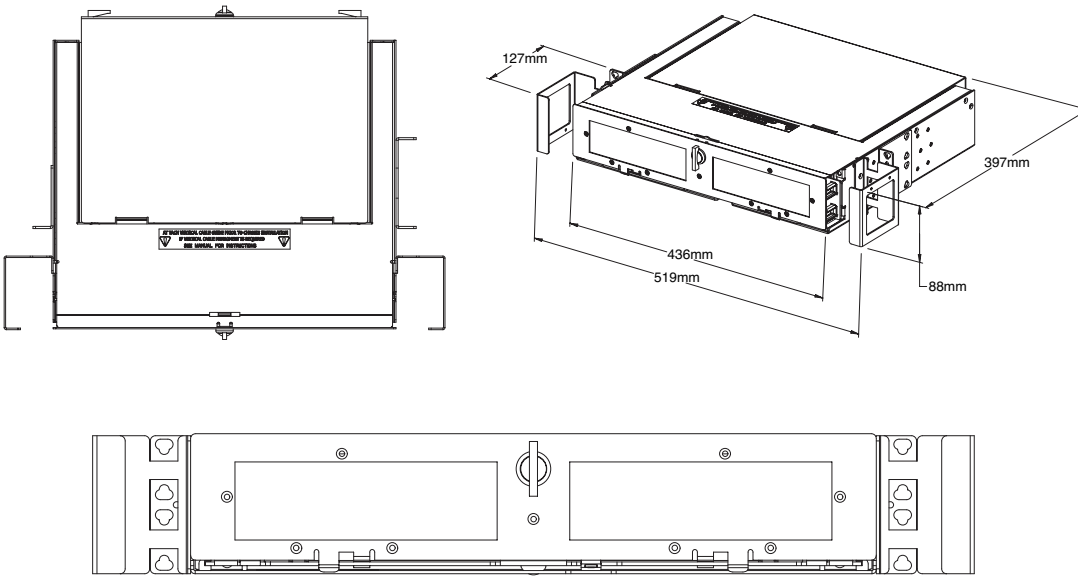


Storage/operating temperature: -40 to 85 °C (-40 to 185 °F)

TrueNet® Fibre Panel and MPO Solutions

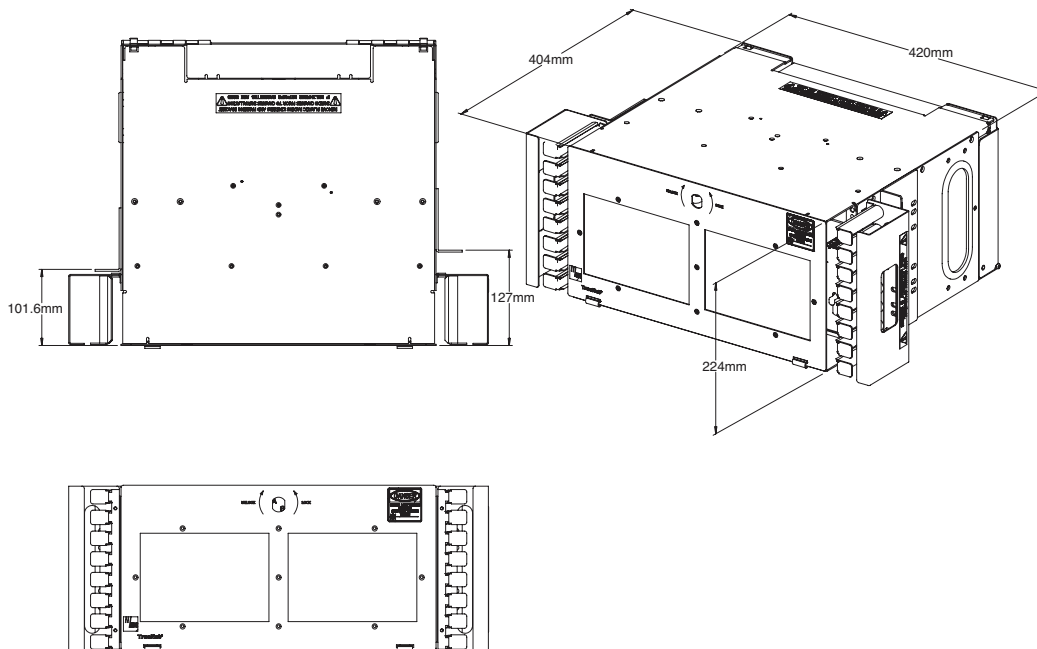


2 RU MODEL



Storage/operating temperature: -40 to 85 °C (-40 to 185 °F)

5 RU MODEL



Storage/operating temperature: -40 to 85 °C (-40 to 185 °F)

TrueNet® Fibre Panel and MPO Solutions

TrueNet® Fibre Panel and MPO Solutions

Empty Chassis

The TrueNet Fibre Panels' chassis can be purchased without adaptor packs. In this form, the end-user can mix and match any combinations of modular TrueNet Fibre Panel adaptor packs or simply utilise a "grow as you go" approach to their network.

Ordering Information

Description	Height	Product No.
Termination only rack or cabinet mount panel, black 1 RU empty panel, black; accommodates 1 angle left and 1 angle right adaptor packs; T-handle latch close	44mm	TFP-1TT00-000B
2 RU empty panel, black; accommodates 2 angle left and 2 angle right adaptor packs; T-handle latch close	88mm	TFP-2TT00-000B
5 RU empty panel, black; accommodates 6 angle left and 6 angle right adaptor packs; T-handle latch close	224mm	TFP-5TT00-000B
Accessories		
Heat Shrink Fusion Splice Tray		FST-HS-48
Velcro Kit for Splice Tray		TFP-VELSTP
Blank Plates		TFP-00AP00
Cable Clamp Kit		TFP-ACC002

TrueNet® Fibre Panel and MPO Solutions



KRONE

TrueNet Fibre Panel Adaptor Packs

The TrueNet Fibre Panels offer a variety of standard modular adaptor packs to accommodate most applications. The modular design is user-friendly and offers maximum flexibility to the end-user. ADC KRONE's standard adaptor pack offerings are available in LC and SC, Multimode (OM3) and Singlemode.

The TrueNet Fibre Panels modular adaptor packs can only be used with the TrueNet Fibre Panel series panels. Each adaptor pack contains labels that make it able to be loaded correctly in only one side of the panel. These user-friendly labels help insure correct installation. The TrueNet Fibre Panel adaptor packs are not interchangeable with RMG, WMG, FL1000 or FL2000 panels.

Ordering Information

Description	Product No.
OM3 Multimode Adaptor only Packs	
LC adaptors, with zirconia sleeve, aqua colour 6 adaptors or 12 fibre ports per adaptor pack	
Angle left adaptor only pack	TFP-12APLQ2
Angle right adaptor only pack	TFP-12APRQ2
LC adaptors with zirconia sleeve, aqua colour 12 adaptors or 24 fibre ports per adaptor pack	
Angle left adaptor only pack	TFP-24APLQ2
Angle right adaptor only pack	TFP-24APRQ2
12-port SC OM3 Adaptor Plate, right	TFP-12APRC4
12-port SC OM3 Adaptor Plate, left	TFP-12APLC4
OS1 Singlemode Adaptor Packs	
LC adaptors with zirconia sleeve, blue colour 6 adaptors or 12 fibre ports per adaptor pack	
Angle left adaptor only pack	TFP-12APLQ5
Angle right adaptor only pack	TFP-12APRQ5
LC adaptors with zirconia sleeve, blue colour 12 adaptors or 24 fibre ports per adaptor pack	
Angle left adaptor only pack	TFP-24APLQ5
Angle right adaptor only pack	TFP-24APRQ5
12-port SC Singlemode Adaptor Plate, right	TFP-12APRC8
12-port SC Singlemode Adaptor Plate, left	TFP-12APLC8
OS1 Singlemode SC/APC Adaptor Packs	
12-port SC/APC Adaptor Plate, right	TFP-12APRA1
12-port SC/APC Adaptor Plate, left	TFP-12APLA1

TrueNet® Fibre Panel and MPO Solutions



TrueNet® Fibre Panel and MPO Solutions



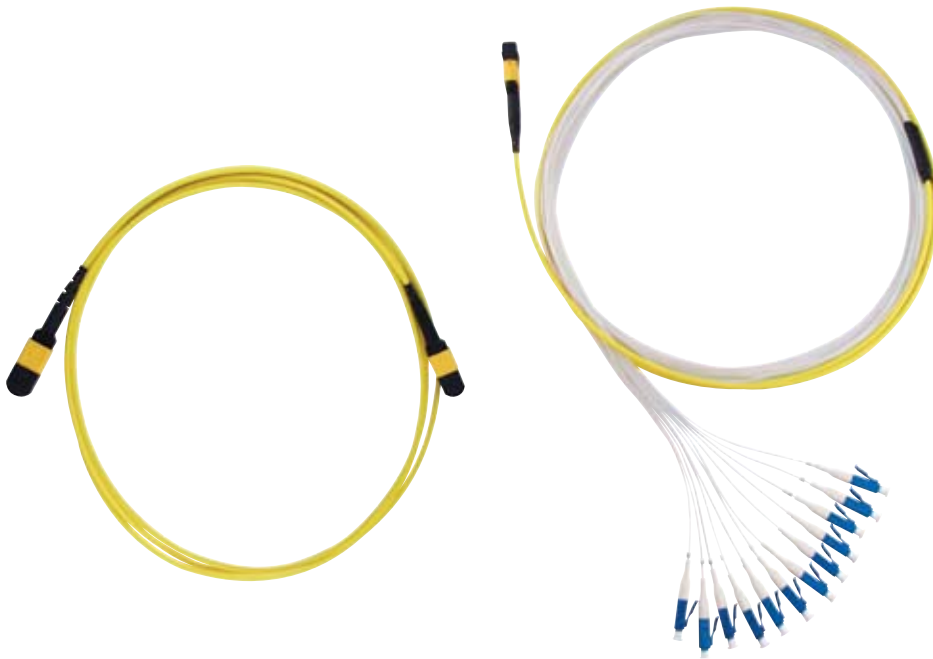
MPO Plug-and-Play Cassettes

The TrueNet Fibre Panels' functionality can be extended with plug-and-play angled cassettes, which add up to 24-fibre terminations each for jumper management in SAN-rich environments. These cassettes snap into place effortlessly; and come from the factory pre-labelled with simple installation instructions.

Each cassette has a front bulkhead identical to the adaptor pack with an internal cable assembly converting to an MPO male connector. This assembly is housed in an enclosed cassette with a rear MPO adaptor.

Ordering Information

Description	Product No.
MPO Cassettes	
12-port LC OM3 Adaptor Plate, right	TFP-12MPRDQ2
12-port LC OM3 Adaptor Plate, left	TFP-12MPLDQ2
24-port LC OM3 Adaptor Plate, right	TFP-24MPRDQ2
24-port LC OM3 Adaptor Plate, left	TFP-24MPLDQ2
12-port LC Singlemode Adaptor Plate, right	TFP-12MPRSQ5
12-port LC Singlemode Adaptor Plate, left	TFP-12MPLSQ5
24-port LC Singlemode Adaptor Plate, right	TFP-24MPRSQ5
24-port LC Singlemode Adaptor Plate, left	TFP-24MPLSQ5



MPO Cable Assemblies

ADC KRONE's TrueNet® plug-and-play microcable trunk assemblies are round, with 12 fibre optical trunk cables pre-terminated with a high density MPO connector on both ends. The round design eliminates preferential bend issues, resulting in increased density and greater manageability.

The cables can be used in conjunction with any of the other plug-and-play connectivity products to rapidly deploy fibre into a data centre or local area network. The TrueNet microcable assemblies can simply be plugged into any plug-and-play cassette in the optical distribution frame or fibre enclosure which eliminates the need for onsite fibre termination and preparation.

For increased protection and manageability, the TrueNet plug-and-play microcable trunk assemblies are compatible with ADC KRONE's FiberGuide® Optical Raceway cable management system.

MPO to LC breakout cables are also available.

Ordering Information

Description	Product No.
MPO to MPO Tie Cable OM3	PTF1202PP3XXXAQ
MPO to MPO Tie Cable Singlemode	PTF1202PP9XXXYL
MPO to LC Array Cable OM3	PTF1213PL3XXXAQ
MPO to LC Array Cable Singlemode	PTF1213PL9XXXYL

(XXX = Length)

005 = 5m	010 = 10m	015 = 15m	020 = 20m	025 = 25m
030 = 30m	035 = 35m	040 = 40m	045 = 45m	050 = 50m
060 = 60m	070 = 70m	080 = 80m	090 = 90m	100 = 100m

TrueNet® Fibre Panel and MPO Solutions



www.adckrone.com/au
TECH SUPPORT 1800 801 298

www.adckrone.com/nz
TECH SUPPORT 0800 657 663

ADC Telecommunications, Inc., P.O. Box 1101, Minneapolis, Minnesota USA 55440-1101
Specifications published here are current as of the date of publication of this document. Because we are continuously improving our products, ADC reserves the right to change specifications without prior notice. At any time, you may verify product specifications by contacting your local ADC KRONE office. ADC Telecommunications, Inc. views its patent portfolio as an important corporate asset and vigorously enforces its patents. Products or features contained herein may be covered by one or more U.S. or foreign patents. An Equal Opportunity Employer.

401708AU 07/10 © 2010 ADC Telecommunications, Inc. All Rights Reserved